
SECTION 9S

BODY REAR END

TABLE OF CONTENTS

Description and Operation	9S-2	Fuel Filler Door	9S-3
Fuel Filler Door	9S-2	Fuel Filler Door Remote Cable and Handle	9S-3
Repair Instructions	9S-3	Tailgate Remote Cable and Handle	9S-5
On-Vehicle Service	9S-3		

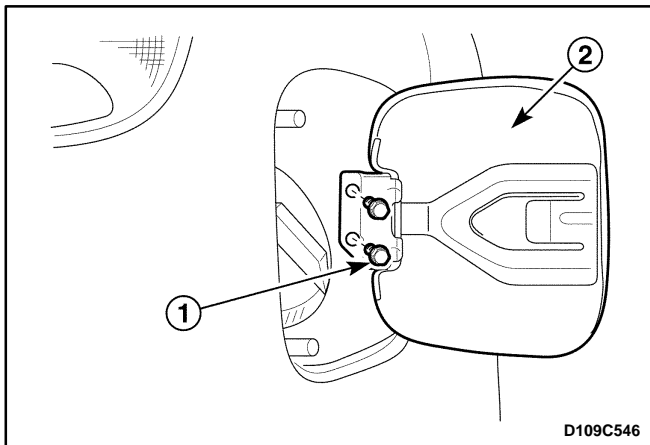
DESCRIPTION AND OPERATION

FUEL FILLER DOOR

The fuel filler door attaches to the fuel tank pocket on the right side of the vehicle.

REPAIR INSTRUCTIONS

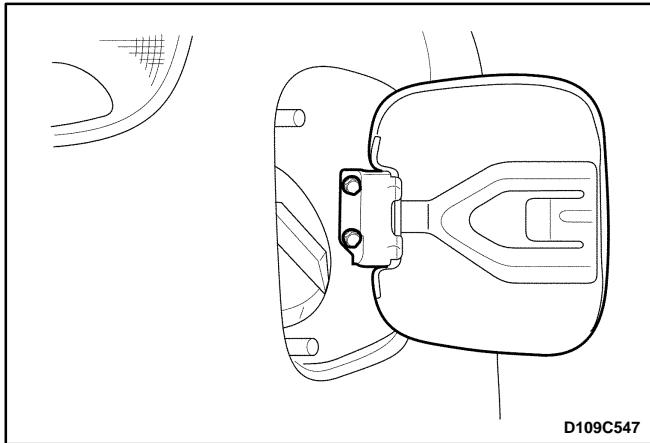
ON-VEHICLE SERVICE



FUEL FILLER DOOR

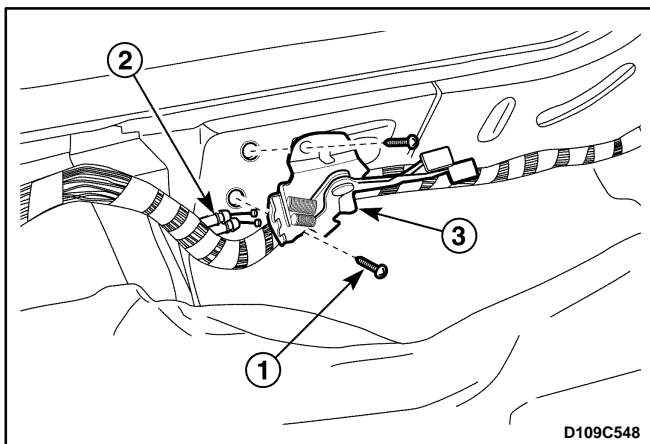
Removal Procedure

1. Pull the fuel filler door opening lever and open the fuel filler door.
2. Remove the fuel filler door.
 - Remove the bolts (1).
 - Remove the fuel filler door (2).



Installation Procedure

1. Install the fuel filler door with the bolts.

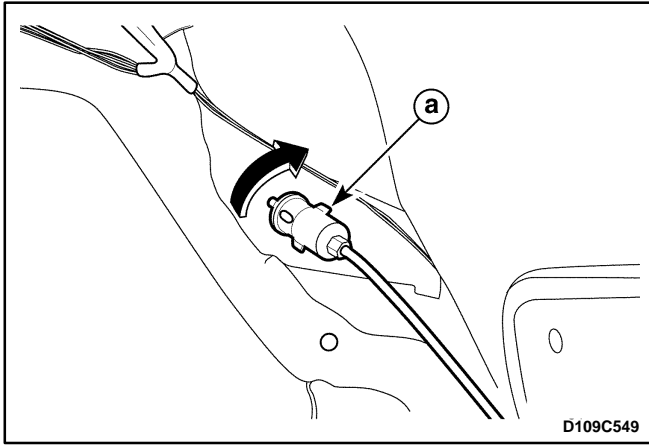


FUEL FILLER DOOR REMOTE CABLE AND HANDLE

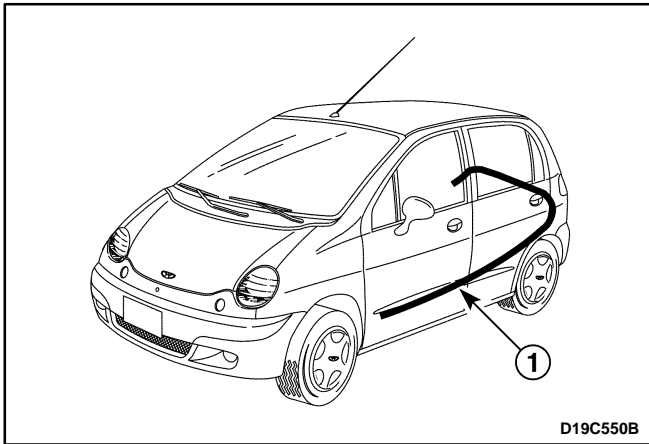
(Left-Hand Drive Shown, Right-Hand Drive Similar)

Removal Procedure

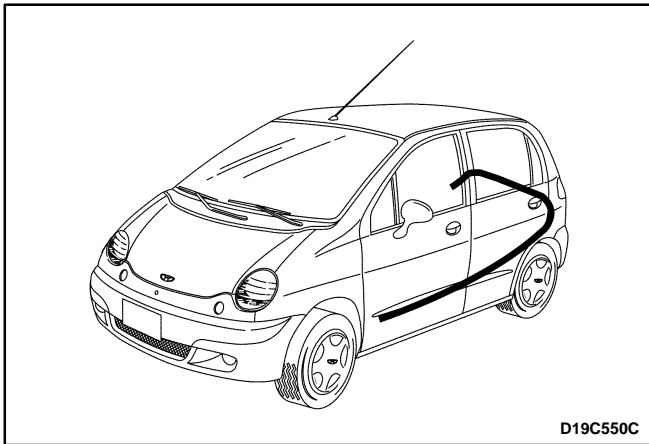
1. Pry off the front rocker trim panel. Refer to *Section 9G, Interior Trim*.
2. Remove the fuel filler door remote handle.
 - Remove the screws (1).
 - Disconnect the cable (2).
 - Remove the fuel filler door remote handle (3).



3. Pry off the lower B-pillar trim panel. Refer to *Section 9G, Interior Trim*.
4. Pry off the rear rocker trim panel. Refer to *Section to 9G, Interior Trim*.
5. Pry off the luggage compartment wheelhouse trim panel. Refer to *Section to 9G, Interior Trim*.
6. Remove the lock striker of the fuel filler.
 - Remove the lock striker by turning it rectangularly.
 - a. Lock striker

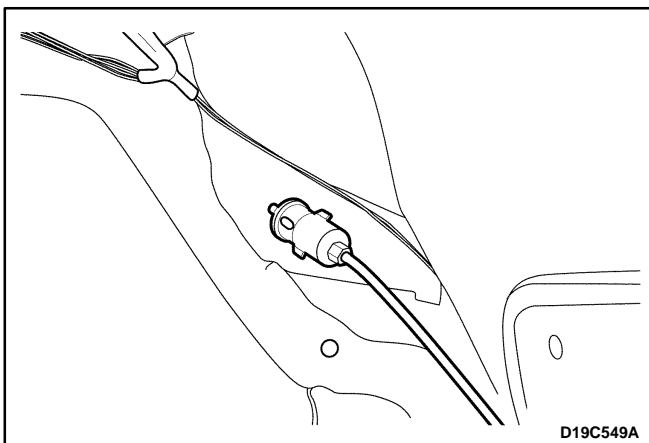


7. Remove the fuel filler door remote cable.
 - Remove the cable retaining strip.
 - Disconnect the fuel filler door remote cable (1).

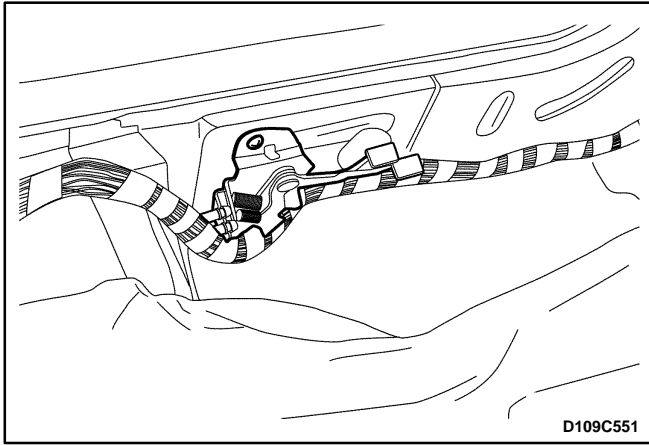


Installation Procedure

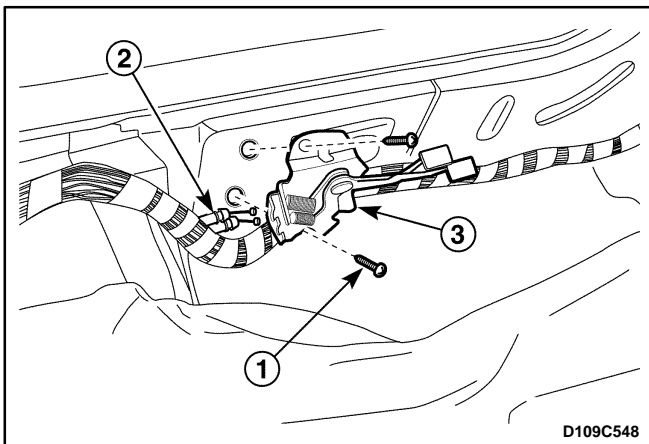
1. Connect the fuel filler door remote cable to the fuel filler door.
2. Retain the cable with the strip.



3. Install the lock striker of the fuel filler.
4. Install the luggage compartment wheelhouse trim panel. Refer to *Section 9G, Interior Trim*.
5. Install the rear rocker trim panel. Refer to *Section 9G, Interior Trim*.
6. Install the lower B-pillar trim panel. Refer to *Section 9G, Interior Trim*.



7. Connect the fuel filler door remote cable to the handle.
8. Install the fuel filler door remote handle with the screws.

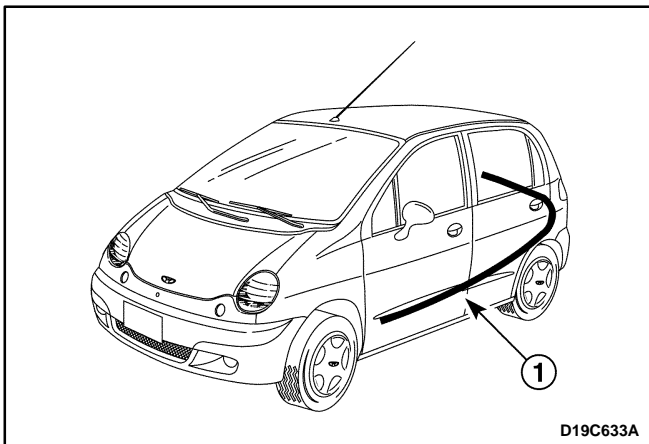


TAILGATE REMOTE CABLE AND HANDLE

(Left-Hand Drive Shown, Right-Hand Drive Similar)

Removal Procedure

1. Pry off the front rocker trim panel. Refer to *Section 9G, Interior Trim*.
2. Remove the tailgate remote handle.
 - Remove the screws (1).
 - Disconnect the cable (2).
 - Remove the tailgate remote handle (3).
3. Pry off the lower B-pillar trim panel. Refer to *Section 9G, Interior Trim*.
4. Pry off the rear rocker trim panel. Refer to *Section 9G, Interior Trim*.
5. Pry off the luggage compartment wheelhouse trim panel. Refer to *Section 9G, Interior Trim*.
6. Disconnect the cable from the tailgate lock striker. Refer to *Section 9P, Doors*.
7. Remove the tailgate remote cable.
 - Remove the cable retaining strip.
 - Disconnect the tailgate remote cable (1).



Installation Procedure

1. Connect the tailgate remote cable to the tailgate lock striker.
2. Retain the cable with the strip.
3. Install the luggage compartment wheelhouse trim panel. Refer to *Section 9G, Interior Trim*.
4. Install the rear rocker trim panel. Refer to *Section 9G, Interior Trim*.
5. Install the lower B-pillar trim panel. Refer to *Section 9G, Interior Trim*.
6. Connect the tailgate remote cable to the handle.
7. Install the tailgate remote handle with the screws.

