
SECTION 9Q

ROOF

TABLE OF CONTENTS

Description and Operation	9Q-2	On-Vehicle Service	9Q-4
Roof	9Q-2	Formed Headliner	9Q-4
Manual SunRoof	9Q-2	Manual SunRoof	9Q-5
Sun Visors	9Q-2	Sun Visors	9Q-6
Passenger Assist Handles	9Q-2	Passenger Assist Handle and the	
Coat Hook	9Q-2	Coat Hook	9Q-6
Component Locator	9Q-3	Specifications	9Q-8
Roof	9Q-3	Fastener Tightening Specifications	9Q-8
Repair Instructions	9Q-4		

DESCRIPTION AND OPERATION

ROOF

The roof is a one-piece painted metal unit which incorporates a single, solid headliner and two moldings, one on each side of the vehicle's roof.

The moldings, which enclose and hide the roof rail seams, are serviceable as individual units.

The one-piece formed headliner, common to both the notchback and the hatchback, consists of a molded substrate covered with a foam-backed cloth facing. The one-piece construction requires servicing the headliner as a complete assembly.

MANUAL SUNROOF

The sunroof is

- Intended to provide light and air through the roof of the vehicle during the driving.
- Built into the roof.
- Made of glass.

SUN VISORS

The sun visors swing down or side in order to block out glare. They also swing to the side when they are released from the support.

PASSENGER ASSIST HANDLE

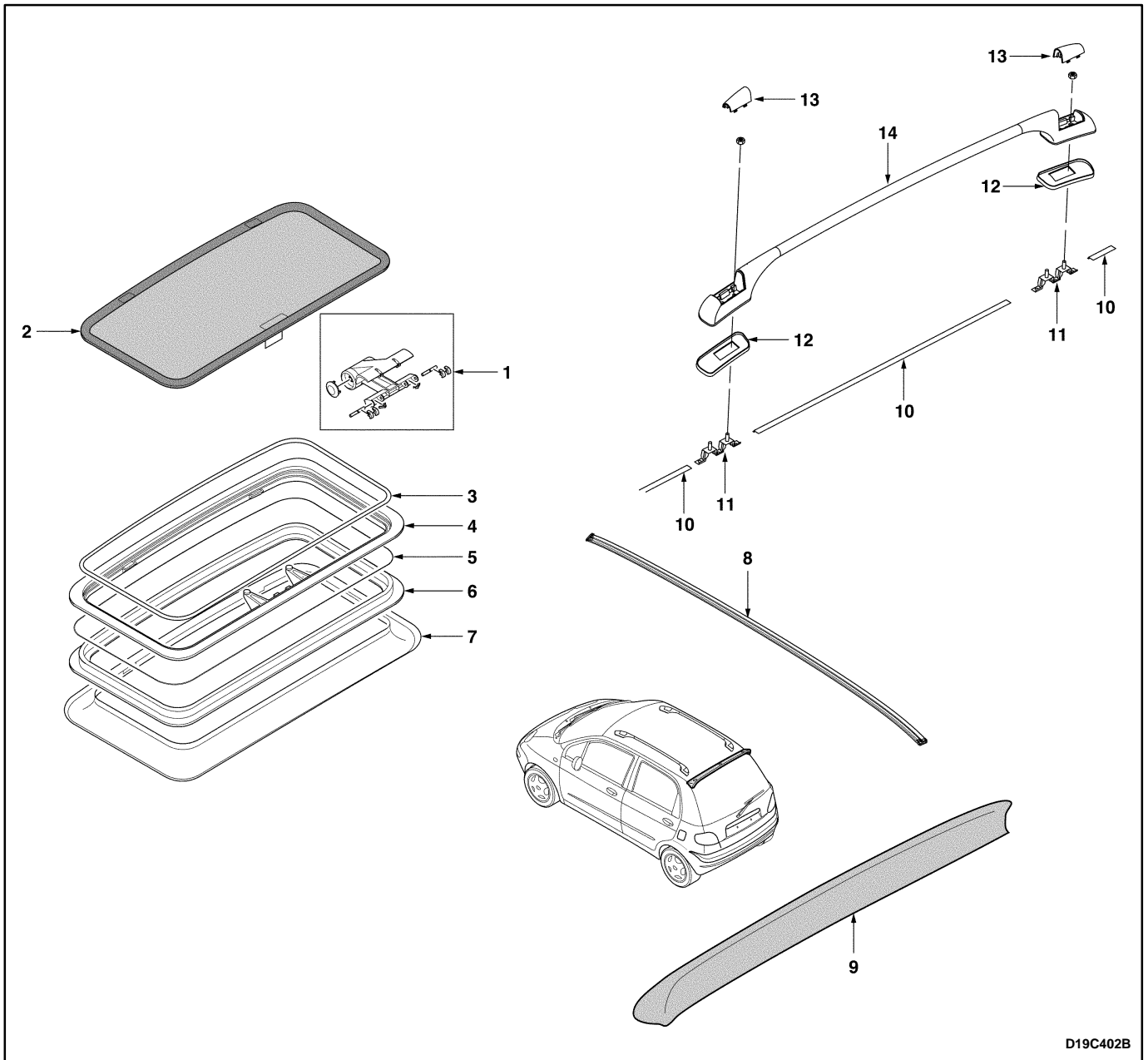
There is a passenger assist handle for the front passenger seat. Passengers can use these handles to assist in keeping their balance over rough roads or during sharp turns.

COAT HOOK

The coat hook is fastened to the headliner above the left-hand rear passenger seat for Left-Hand Drive or right hand rear passenger seat for Right-Hand Drive. This position has a coat hook in the place of a passenger assist handle.

COMPONENT LOCATOR

ROOF



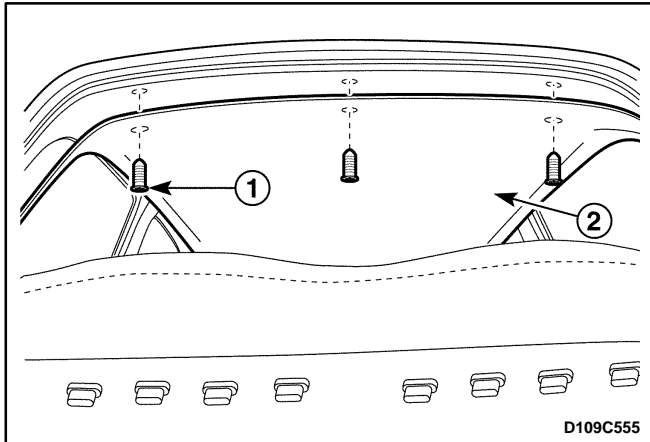
D19C402B

- 1. Sunroof Handle
- 2. Sunroof Screen
- 3. Sunroof Screen Seal
- 4. Sunroof Upper Frame
- 5. Roof Seal
- 6. Sunroof Lower Frame
- 7. Sunroof Cover

- 8. Roof Rail
- 9. Rear Spoiler
- 10. Roof Molding
- 11. Roof Rack Bracket
- 12. Roof Rack Pad
- 13. Cap
- 14. Roof Rack

REPAIR INSTRUCTIONS

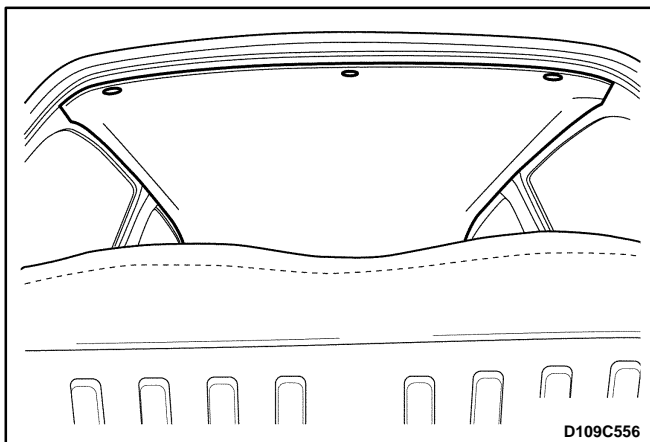
ON-VEHICLE SERVICE



FORMED HEADLINER

Removal Procedure

1. Disconnect the negative battery cable.
2. Remove the sun visors. Refer to "Sun Visors" in this section.
3. Remove the interior courtesy lamp. Refer to *Section 9B, Lighting Systems*.
4. Pry off the A-pillar trim panel. Refer to *Section 9G, Interior Trim*.
5. Pry off the upper B-pillar trim panel. Refer to *Section 9G, Interior Trim*.
6. Pry off the C-pillar trim panel. Refer to *Section 9G, Interior Trim*.
7. Remove the passenger assist handle and the coat hook. Refer to "Passenger Assist Handle and The Coat Hook" in this section.
8. Remove the sunroof molding, if equipped with. Refer to "Manual Sunroof" in this section.
9. Take off the tailgate opening weatherstrip. Refer to *Section 9P, Doors*.
10. Remove the headliner.
 - Remove the clips (1).
 - Remove the headliner (2).



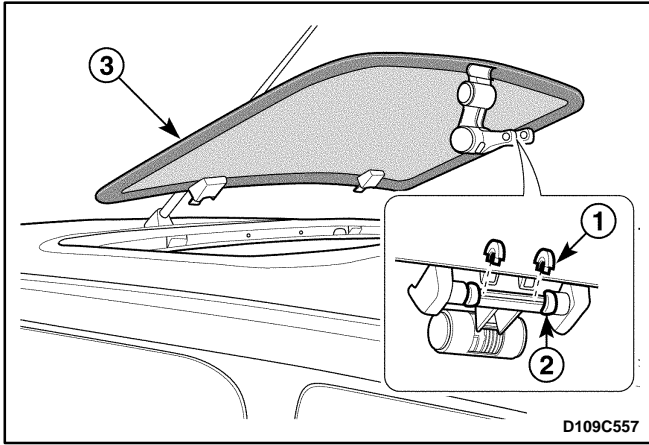
Installation Procedure

1. Install in the reverse order of removal.

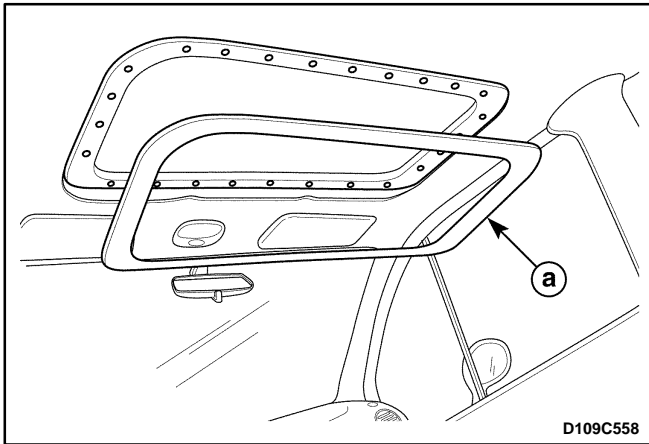
MANUAL SUNROOF

Removal Procedure

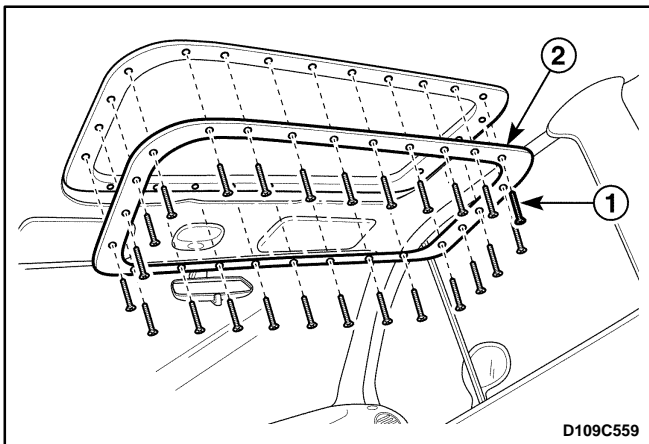
1. Remove the sunroof screen.
 - Remove the clips (1).
 - Remove the lock (2).
 - Remove the screen (3).



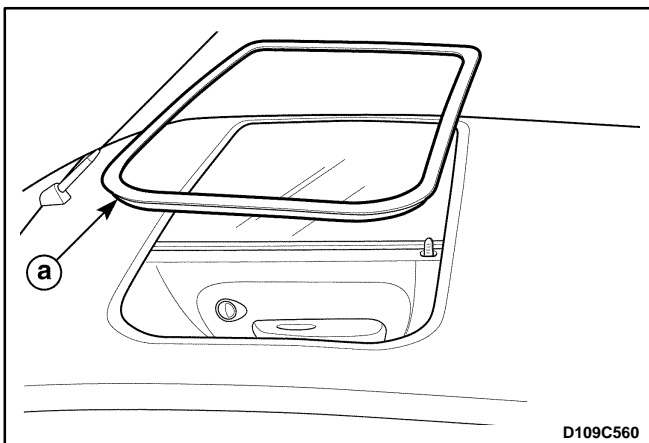
2. Remove the inside sunroof molding in the passenger compartment.
 - a. Inside sunroof molding.

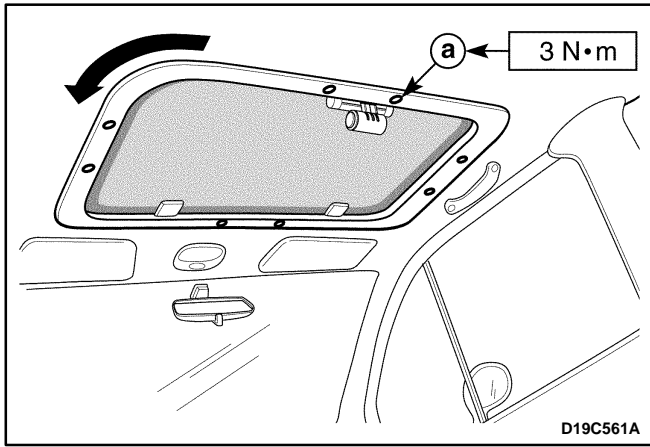


3. Remove the lower sunroof frame.
 - Remove the screws (1).
 - Remove the lower sunroof frame (2).



4. Remove the upper sunroof frame.
 - a. Upper sunroof frame.





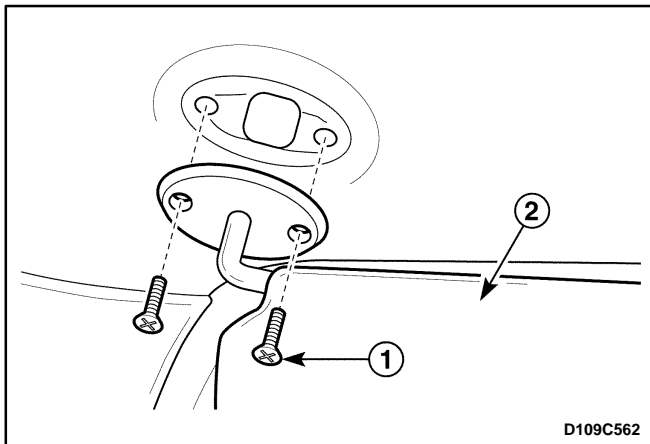
Installation Procedure

1. Install the upper sunroof frame.
2. Install the lower sunroof frame with the screws (a).
3. Install the inside sunroof molding.
4. Install the screen with the clips and the lock.

Tighten

Tighten the screws to 3 N·m (27 lb-in).

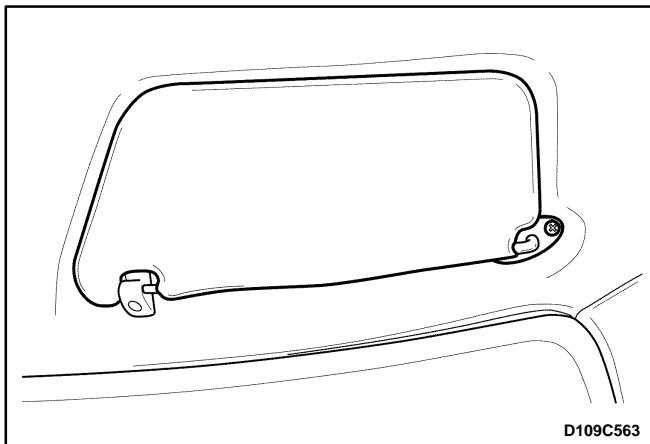
Notice: When installing the lower sunroof frame, make sure to tighten the screws previously as shown the figure and tighten all the screws.



SUN VISORS

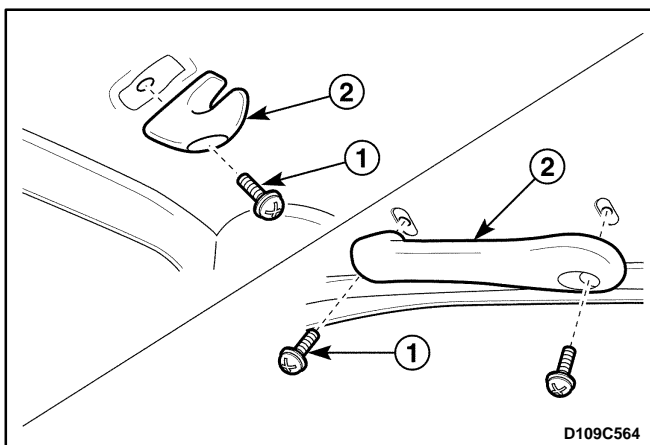
Removal Procedure

1. Remove the sun visors.
 - Remove the screws (1).
 - Remove the sun visors (2).



Installation Procedure

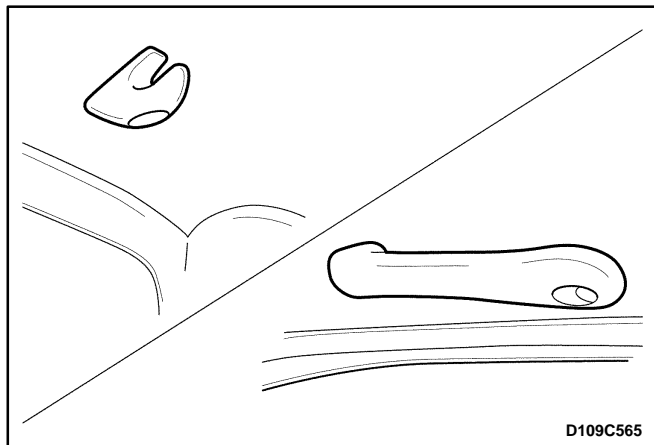
1. Install the sun visors with the screws.



PASSENGER ASSIST HANDLE OR THE COAT HOOK

Removal Procedure

1. Remove the passenger assist handle or the coat hook from the headliner.
 - Remove the screws (1).
 - Remove the coat hook or the assist handle (2).



Installation Procedure

1. Install the passenger assist handle or the coat hook to the headliner with the screws.

SPECIFICATIONS

FASTENER TIGHTENING SPECIFICATIONS

Application	N•m	Lb-Ft	Lb-In
Sunroof Frame Screws	3	-	27