
SECTION 9G

INTERIOR TRIM

CAUTION: Disconnect the negative battery cable before removing or installing any electrical unit or when a tool or equipment could easily come in contact with exposed electrical terminals. Disconnecting this cable will help prevent personal injury and damage to the vehicle. The ignition must also be in B unless otherwise noted.

TABLE OF CONTENTS

Description and Operation	9G-2	Tailgate Trim Panel	9G-9
Interior Trim Panels	9G-2	A–Pillar Trim Panel	9G-10
Pressure Relief Vent	9G-2	Upper B–Pillar Trim Panel	9G-10
Floor Console	9G-2	Lower B–Pillar Trim Panel	9G-11
Parking Brake Cable Cover	9G-2	C–Pillar Trim Panel	9G-11
Floor Carpet	9G-2	Rear Parcel Shelf	9G-12
Component Locator	9G-3	Rear Parcel Side Shelf	9G-13
Interior Trim	9G-3	Front Rocker Trim Panel	9G-13
Repair Instructions	9G-4	Rear Rocker Trim Panel	9G-14
On-Vehicle Service	9G-4	Floor Console	9G-15
Front Door Trim Panel (Standard)	9G-4	Parking Brake Cable Cover	9G-15
Front Door Trim Panel (Deluxe)	9G-5	Floor Carpet	9G-16
Rear Door Trim Panel (Standard)	9G-6	Luggage Compartment Wheelhouse Trim Panel	9G-17
Rear Door Trim Panel (Deluxe)	9G-7	Special Tools and Equipment	9G-18
Rear Door Interior Garnish Molding	9G-8	Special Tools Table	9G-18
Rear Door Exterior Garnish Molding	9G-9		

DESCRIPTION AND OPERATION

INTERIOR TRIM PANELS

The interior trim panels are molded plastic and fasten with screws or plastic clips.

PRESSURE RELIEF VENT

When all the windows are closed and the ventilation system is on, the addition of outside air to the interior of the vehicle causes a positive pressure within the vehicle. In order to relieve the pressure, air is released through one pressure relief vents. The pressure relief vent is located in the luggage compartment, behind the spare wheel.

FLOOR CONSOLE

The floor console fits over the tunnel in the floor of the vehicle and extends from under the center of the instrument panel to the front seat area. The floor console contains the transaxle shift lever and a cupholder.

The sensing and diagnosis module (SDM) for the airbag system is located under the floor console.

PARKING BRAKE CABLE COVER

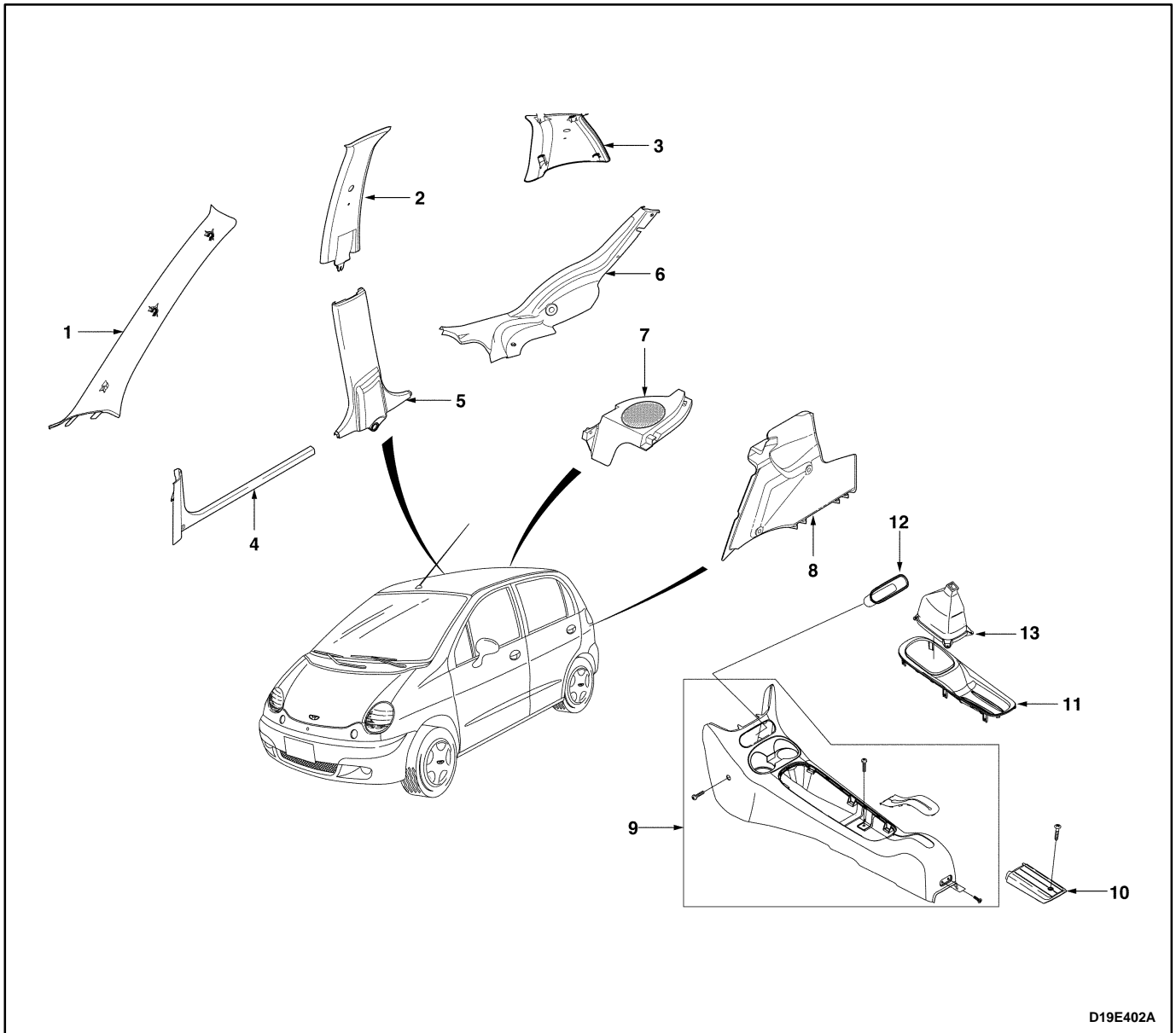
The parking brake cable cover should be removed to adjust the free play of the parking brake cable.

FLOOR CARPET

The molded one-piece floor carpet goes over both the front and the rear floor pans.

COMPONENT LOCATOR

INTERIOR TRIM



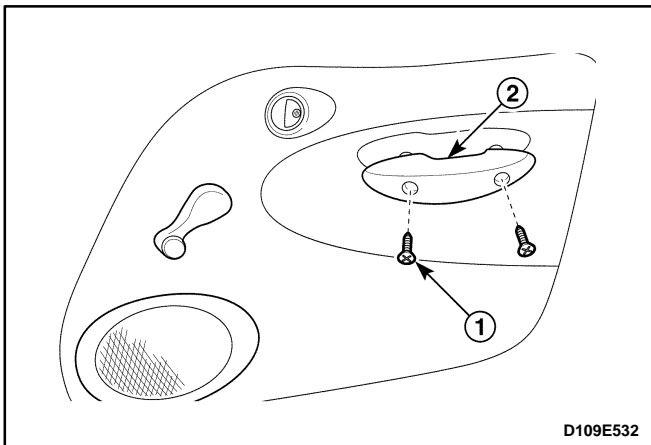
D19E402A

- 1. A-Pillar Trim Panel
- 2. B-Pillar Upper Trim Panel
- 3. C-Pillar Trim Panel
- 4. Front Rocker Trim Panel
- 5. B-Pillar Lower Trim Panel
- 6. Rear Rocker Trim Panel
- 7. Rear Parcel Side Shelf

- 8. Wheel House Trim Panel
- 9. Floor Console
- 10. Parking Brake Cable Cover
- 11. Console Cover Assembly
- 12. Deposit Box
- 13. Console Boot Assembly

REPAIR INSTRUCTIONS

ON-VEHICLE SERVICE



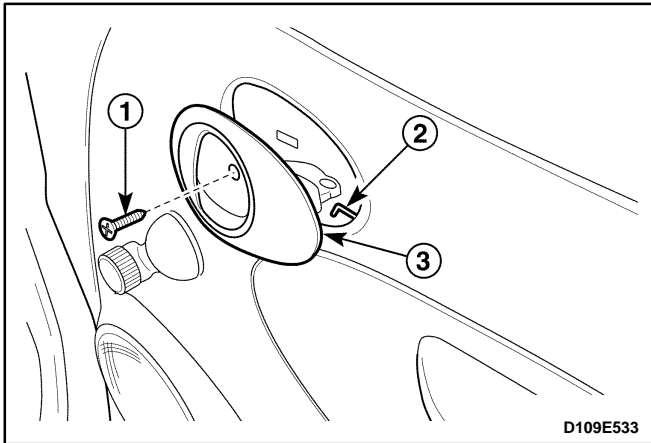
FRONT DOOR TRIM PANEL (STANDARD)

Tool Required

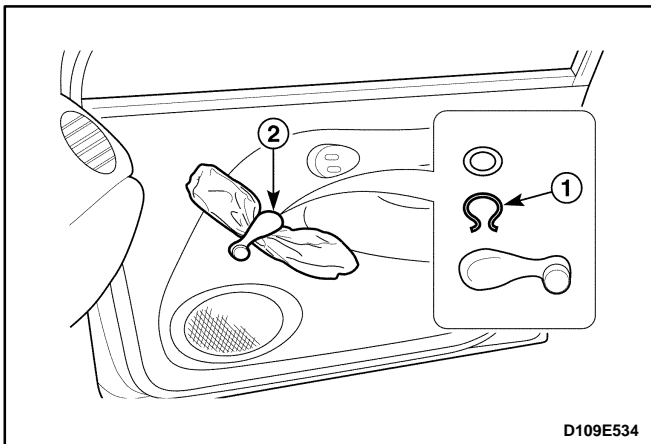
KM 475-B Trim Remover.

Removal Procedure

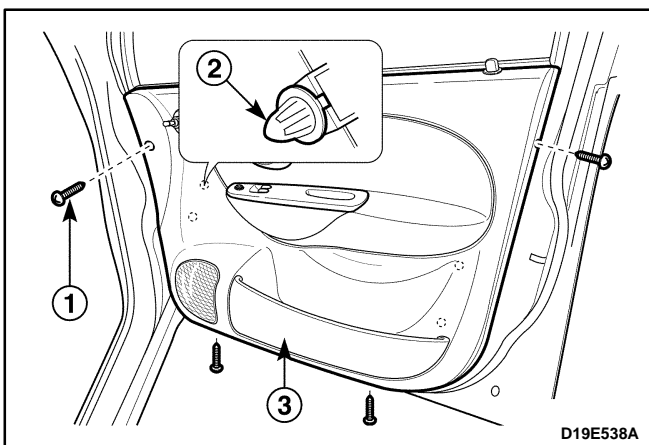
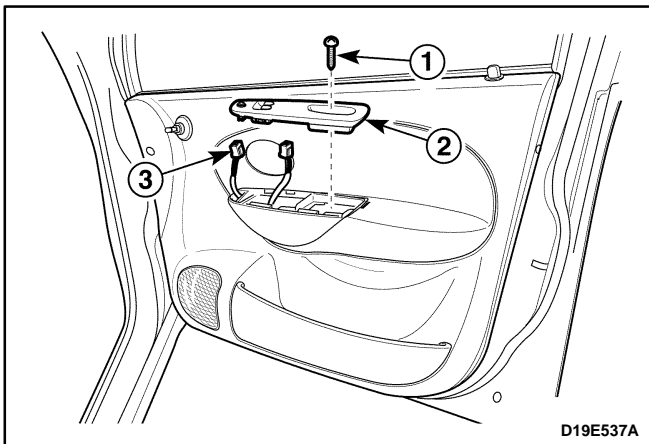
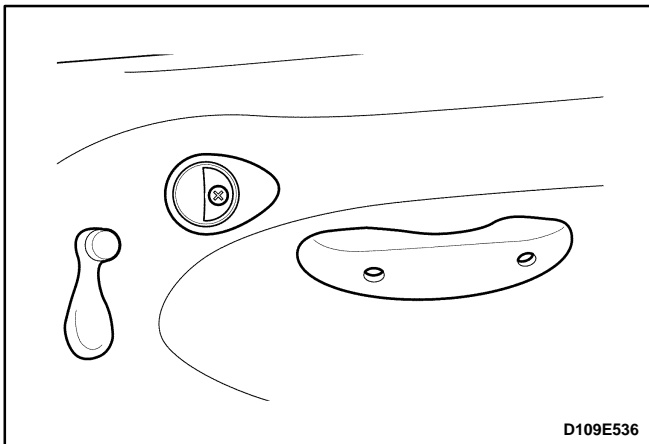
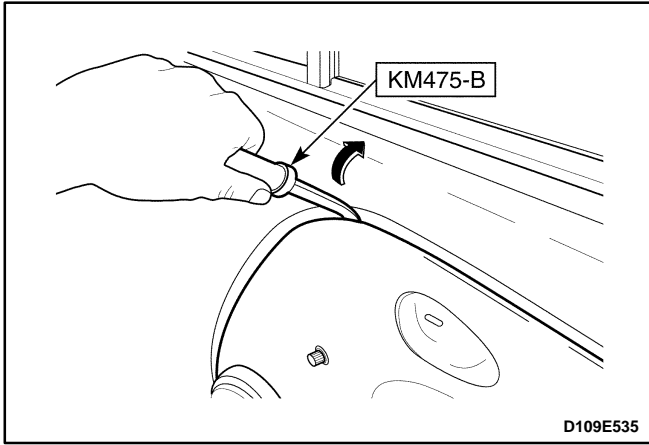
1. Remove the door pull from the front door.
 - Remove the screws (1).
 - Remove the door pull (2).



2. Remove the inside door handle.
 - Remove the screw (1).
 - Disconnect the inside door handle rod (2).
 - Pry off the inside door handle (3).



3. Remove the window regulator handle from the front door.
 - Using a cloth, pull out the clip (1).
 - Remove the regulator handle (2).



4. Pry off the trim panel using a trim remover KM 475-B.

Notice: Make sure to cover the remover with cloth to prevent the paint damage of the door.

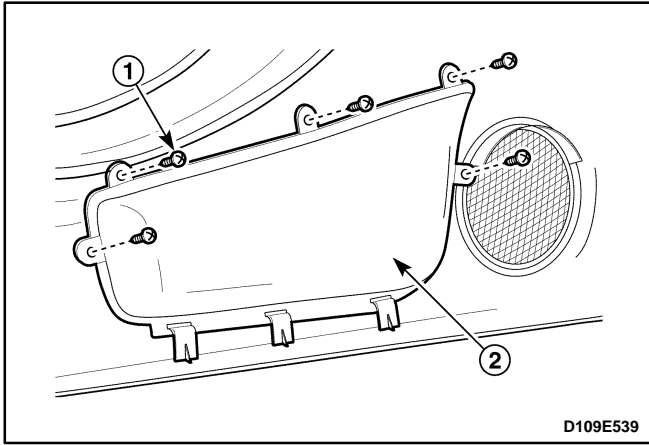
Installation Procedure

1. Install the trim panel.
2. Install the window regulator handle with the clip.
3. Install the inside door handle and the door pull with the screws.

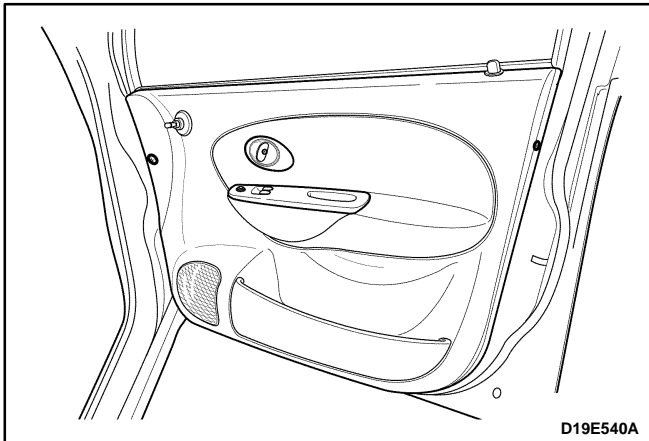
FRONT DOOR TRIM PANEL (DELUXE)

Removal Procedure

1. Remove the inside door handle. Refer to *Section 9P, Doors*.
2. Remove the power window/mirror control switch assembly from the front door.
 - Remove the screws (1).
 - Remove the power window/mirror control switch assembly (2).
 - Disconnect the electrical connectors (3).
3. Remove the trim panel.
 - Remove the screws (1).
 - Remove the clips (2).
 - Remove the trim panel (3).

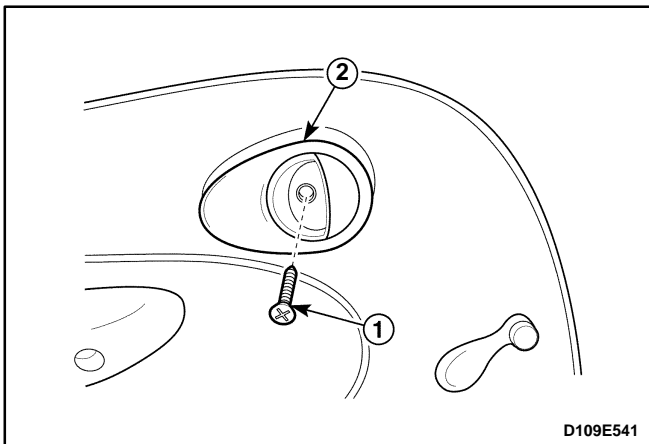


4. Remove the inside channel weatherstrip. Refer to *Section 9P, Doors*.
5. Remove the map pocket from the door trim.
 - Remove the screws (1).
 - Remove the map pocket (2).



Installation Procedure

1. Install the map pocket to the door trim with the screws.
2. Install the inside channel weatherstrip. Refer to *Section 9P, Doors*.
3. Install the door trim panel with the screws and the clips.
4. Install the power window/mirror control switch assembly with the screw.
5. Install the inside door handle. Refer to *Section 9P, Doors*.



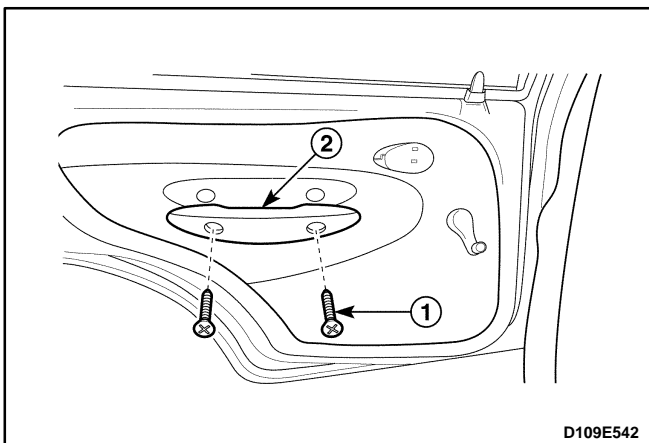
REAR DOOR TRIM PANEL (STANDARD)

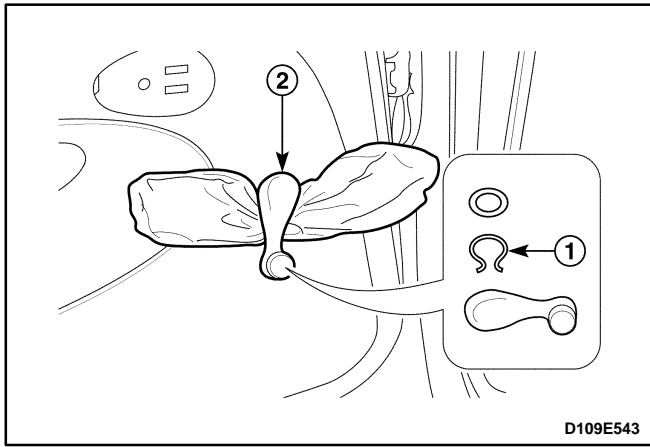
Tool Required

KM 475-B Trim Remover.

Removal Procedure

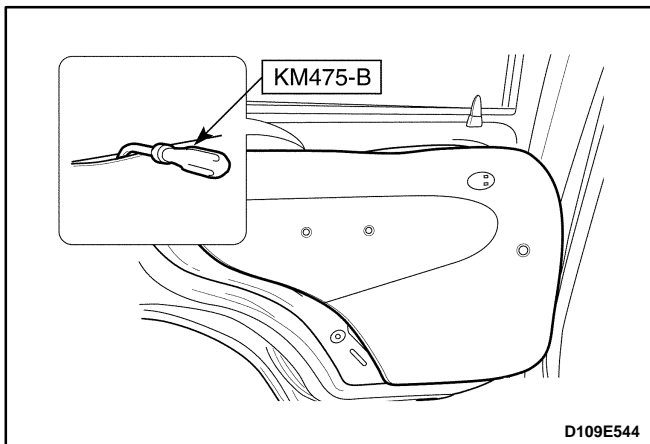
1. Remove the inside door handle.
 - Remove the screw (1).
 - Disconnect the inside door handle rod.
 - Pry off the inside door handle (2).
2. Remove the door pull.
 - Remove the screws (1).
 - Remove the door pull (2).





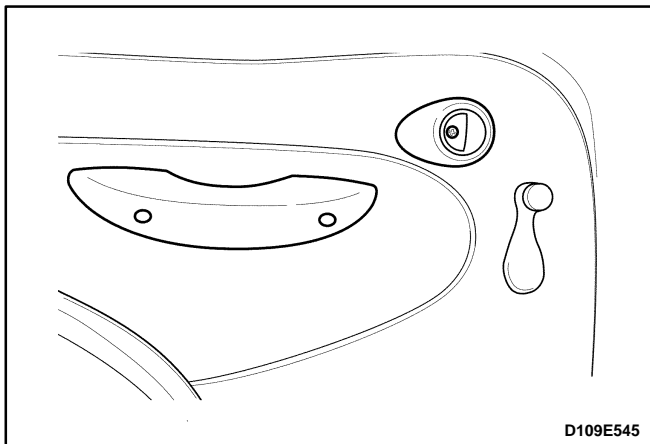
3. Remove the window regulator handle from the rear door.

- Using a cloth, pull out the clip (1).
- Remove the regulator handle (2).



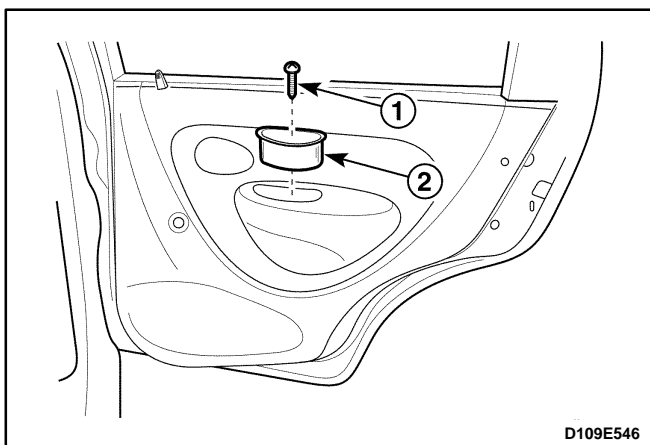
4. Pry off the trim panel using a trim remover KM 475-B.

Notice: Make sure to cover the remover with cloth to prevent the paint damage of the door.



Installation Procedure

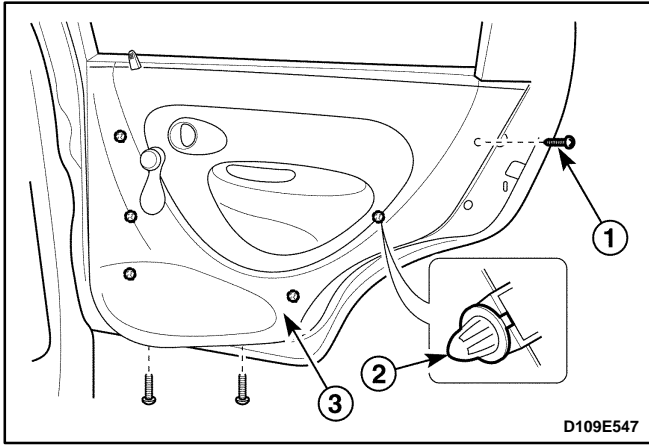
1. Install the trim panel.
2. Install the window regulator handle with the clip.
3. Install the inside door handle and the door pull with the screws.



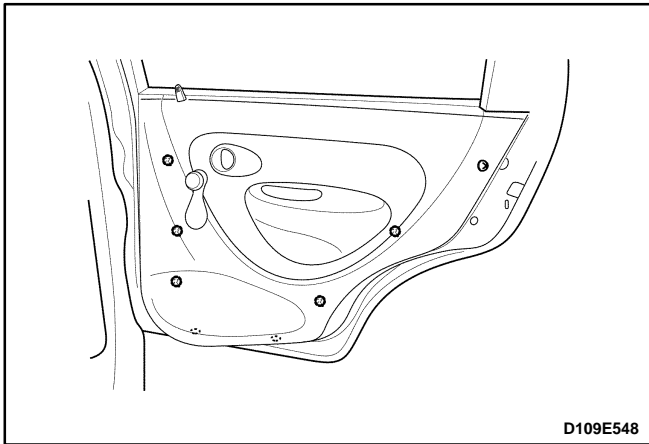
REAR DOOR TRIM PANEL (DELUXE)

Removal Procedure

1. Remove the inside door handle. Refer to *Section 9P, Doors*.
2. Remove the window regulator handle from the rear door. Refer to *Section 9P, Doors*.
3. Remove the door pull.
 - Remove the screw (1).
 - Remove the door pull (2).

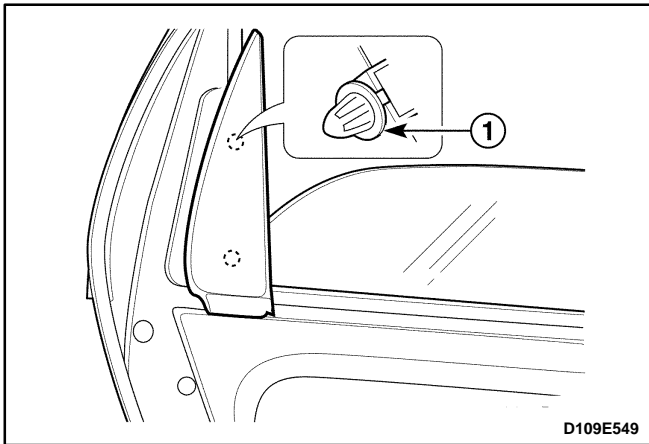


4. Remove the trim panel.
 - Remove the screws (1).
 - Remove the clips (2).
 - Remove the trim panel (3).
5. Remove the inside channel weatherstrip. Refer to *Section 9P, Doors*.



Installation Procedure

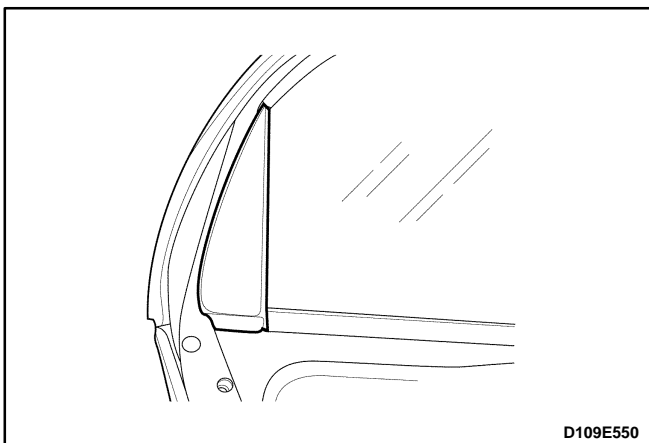
1. Install the inside channel weatherstrip. Refer to *Section 9P, Doors*.
2. Install the trim panel with the screws and the clips.
3. Install the door pull with the screw.
4. Install the window regulator handle. Refer to *Section 9P, Doors*.
5. Install the inside door handle. Refer to *Section 9P, Doors*.



REAR DOOR INTERIOR GARNISH MOLDING

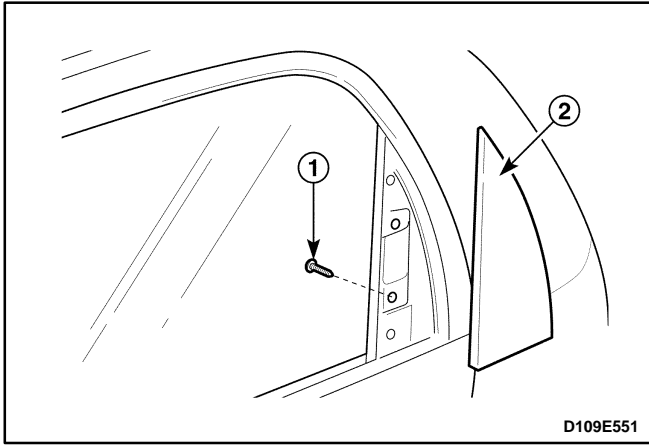
Removal Procedure

1. Pry off interior garnish molding.
 - Pry off the garnish molding caps (1).



Installation Procedure

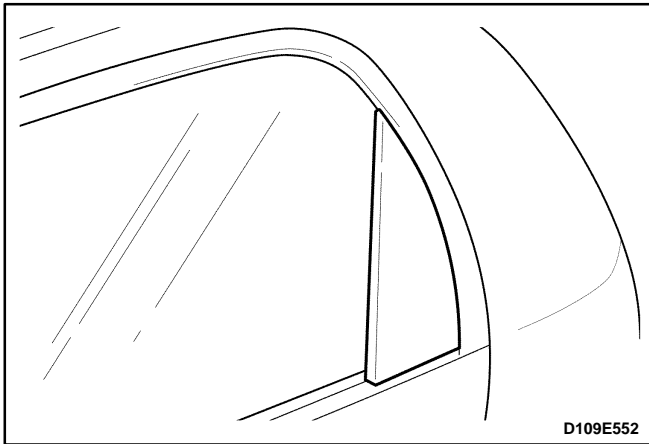
1. Install the interior garnish molding.



REAR DOOR EXTERIOR GARNISH MOLDING

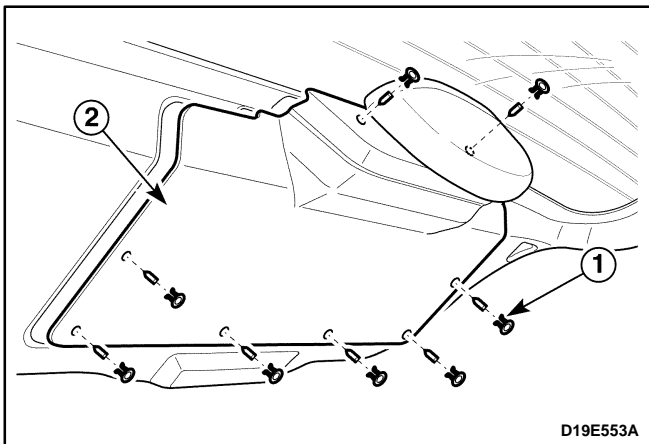
Removal Procedure

1. Pry off the interior garnish molding. Refer to "Rear Door Interior Garnish Molding" in this section.
2. Pry off the exterior garnish molding.
 - Remove the screw (1).
 - Pry off exterior garnish molding (2).



Installation Procedure

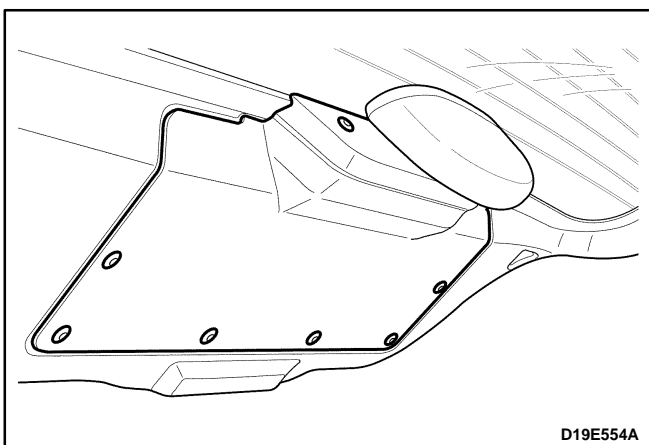
1. Install the exterior garnish molding with the screw.
2. Install the interior garnish molding. Refer to "Rear Door Interior Garnish Molding" in this section.



TAILGATE TRIM PANEL

Removal Procedure

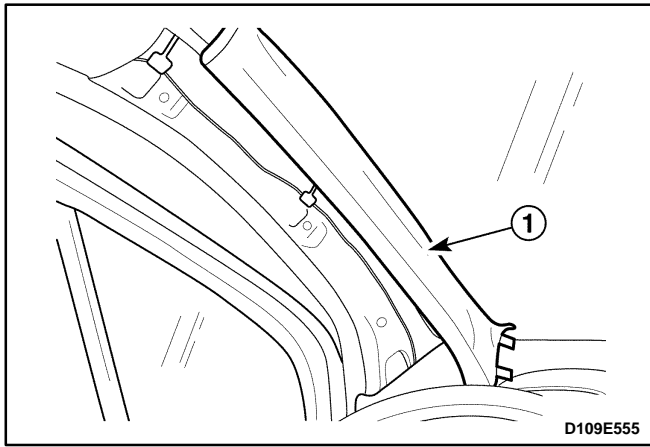
1. Open the tailgate.
2. Remove the trim from the tailgate.
 - Remove the clips by pushing the center of the clip (1).
 - Remove the trim (2).



Installation Procedure

1. Install the trim to the tailgate.

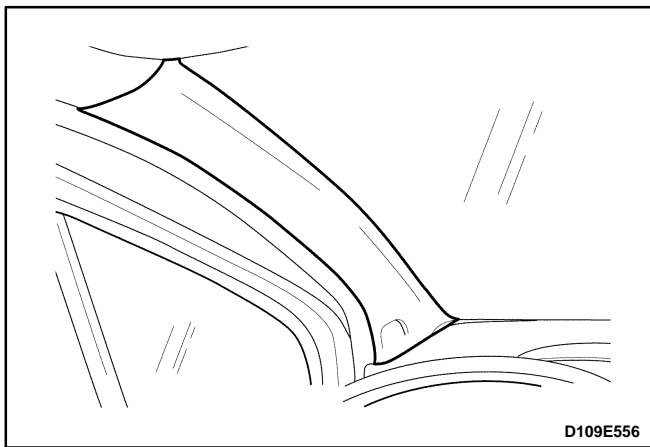
Notice: In case of the loose clips, replace the clips with the new ones.



A-PILLAR TRIM PANEL

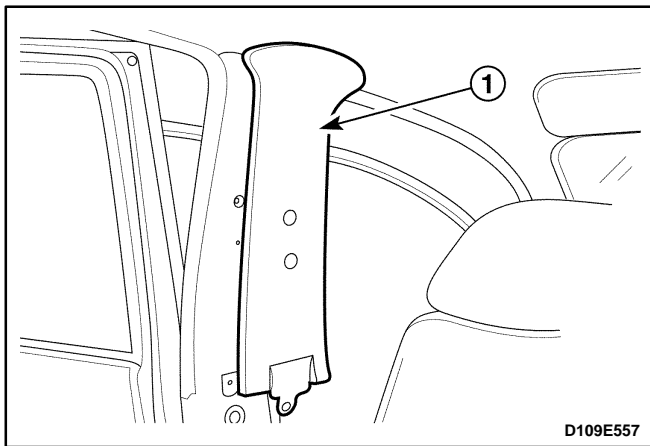
Removal Procedure

1. Pry off the A-pillar trim panel (1).



Installation Procedure

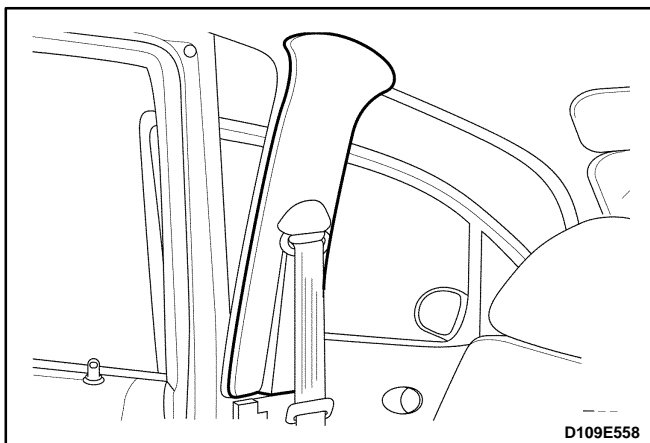
1. Install the A-pillar trim panel.



UPPER B-PILLAR TRIM PANEL

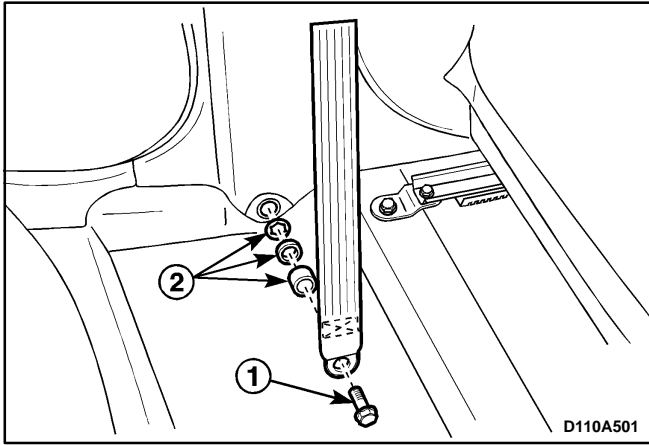
Removal Procedure

1. Remove the bolt on the upper B-pillar trim panel. Refer to *Section 8A, Seat Belts*.
2. Pry off the upper B-pillar trim panel.
 - Pry off the upper B-pillar trim panel by hands (1).



Installation Procedure

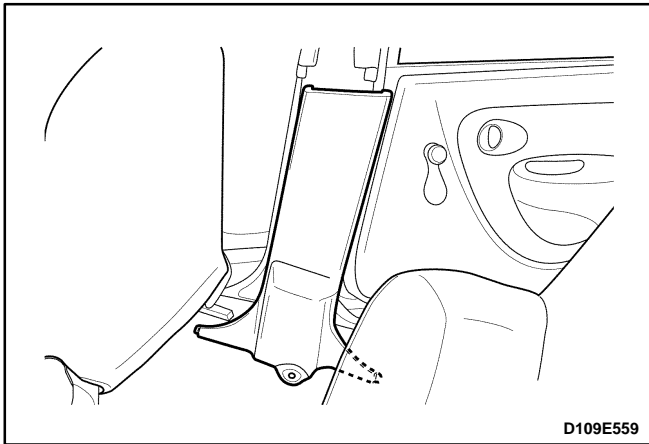
1. Install the upper B-pillar trim panel.
2. Install the bolt on the upper B-pillar trim panel. Refer to *Section 8A, Seat Belts*.



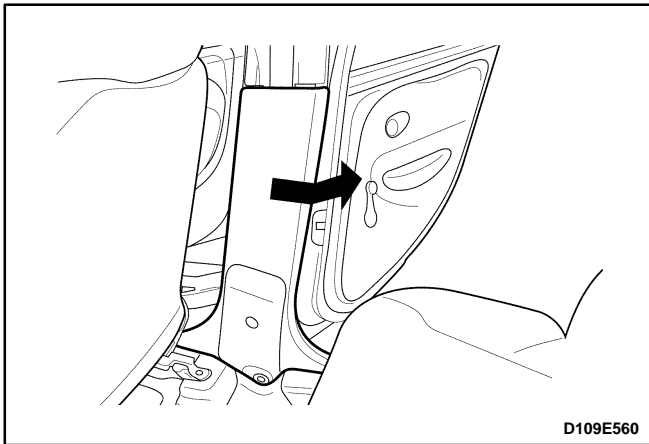
LOWER B-PILLAR TRIM PANEL

Removal Procedure

1. Remove the bolt on the lower B-pillar trim panel.
 - Remove the bolt (1).
 - Remove the spacer and the spring washer (2).
 - Remove the plastic protector from the seat belt anchor.

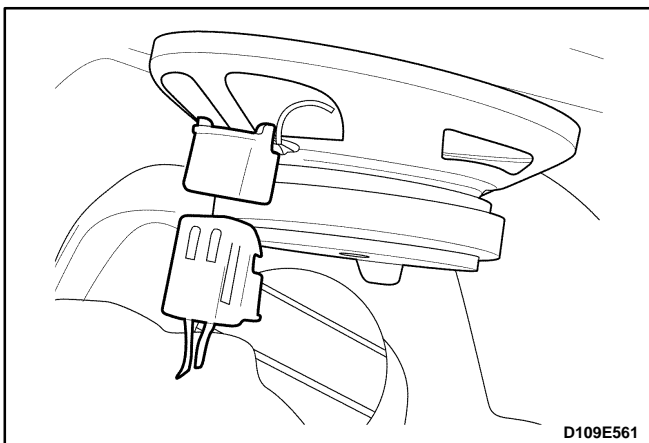


2. Pry off the lower B-pillar trim panel.



Installation Procedure

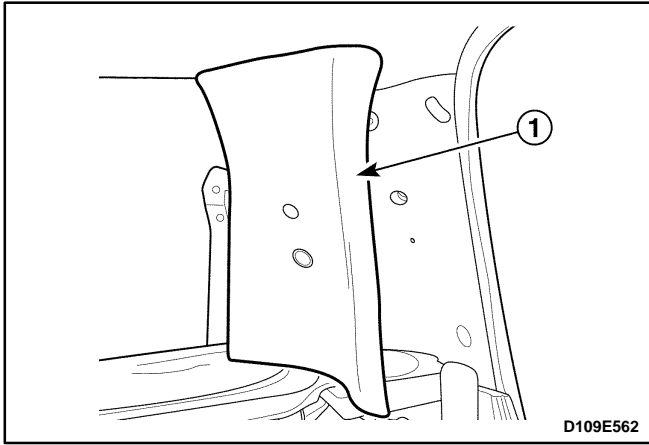
1. Install the lower B-pillar trim panel.
2. Install the bolt on the lower B-pillar trim panel. Refer to *Section 8A, Seat Belts*.



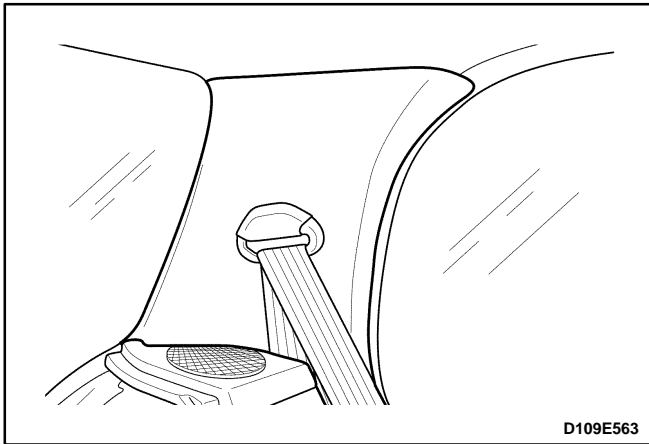
C-PILLAR TRIM PANEL

Removal Procedure

1. Disconnect the negative battery cable.
2. Open the tailgate.
3. Disconnect the rear speaker electrical connector.

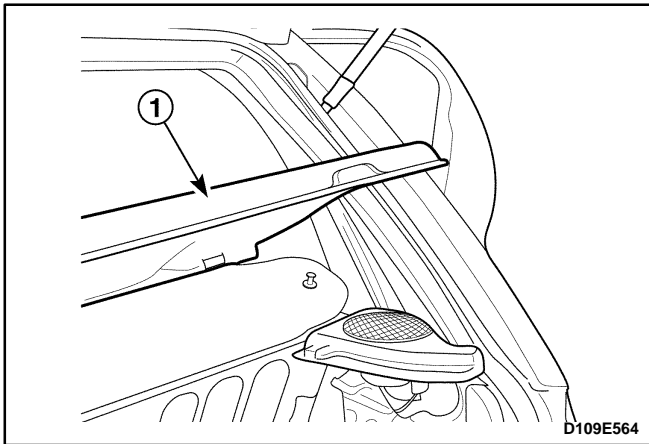


4. Remove the rear parcel side shelf. Refer to “Rear Parcel Side Shelf” in this section.
5. Remove the rear seatback.
6. Remove the rear seat belt bolt on the C-pillar trim panel. Refer to *Section 8A, Seat Belts*.
7. Pry off the C-pillar trim panel.
 - Pry off the C-pillar trim panel by hands (1).



Installation Procedure

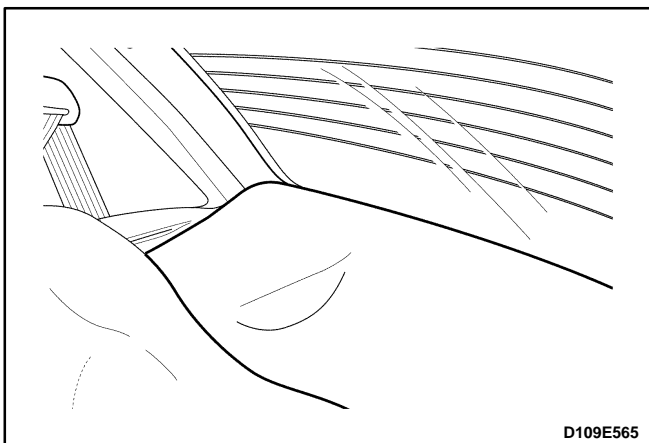
1. Install the C-pillar trim panel.
2. Install the rear seat belt bolt on the C-pillar trim panel. Refer to *Section 8A, Seat Belts*.
3. Install the rear seatback.
4. Install the rear parcel side shelf. Refer to “Rear Parcel Side Shelf” in this section.
5. Connect the rear speaker connector.
6. Connect the negative battery cable.



REAR PARCEL SHELF

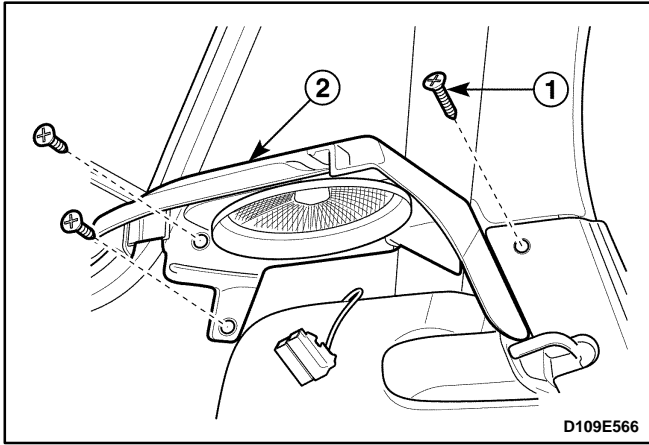
Removal Procedure

1. Open the tailgate.
2. Remove the rear parcel shelf (1).



Installation Procedure

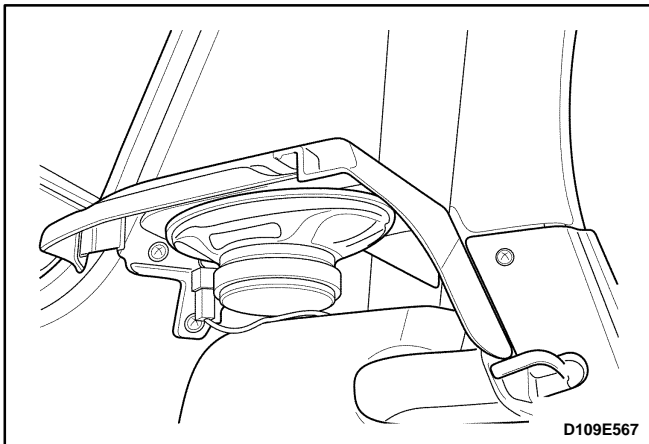
1. Install the rear parcel shelf.



REAR PARCEL SIDE SHELF

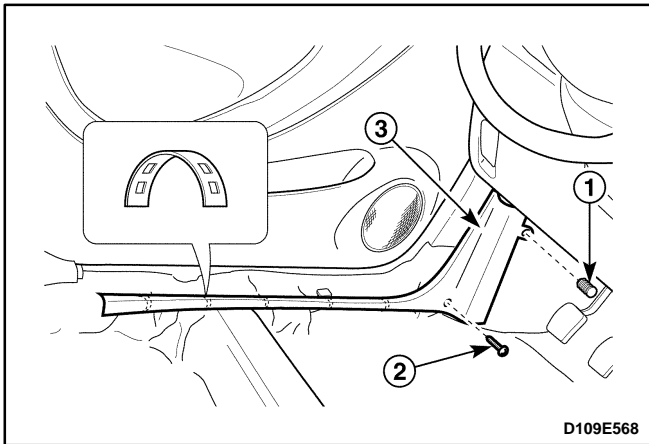
Removal Procedure

1. Disconnect the negative battery cable.
2. Open the tailgate.
3. Remove the seatback.
4. Remove the rear seat parcel shelf. Refer to "Rear Parcel Shelf" in this section.
5. Remove the rear speaker from the rear parcel shelf. Refer to *Section 9F, Audio Systems*.
6. Remove the rear parcel side shelf.
 - Remove the screws (1).
 - Remove the rear parcel side shelf (2).



Installation Procedure

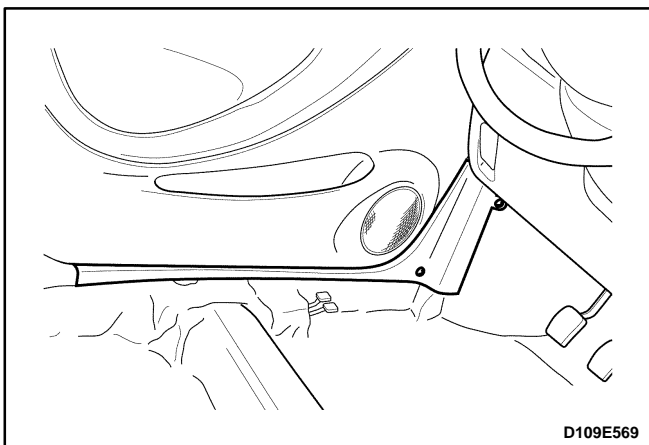
1. Install the rear parcel side shelf with the screw.
2. Install the rear speaker to the rear parcel shelf. Refer to *Section 9F, Audio Systems*.
3. Install the rear parcel shelf. Refer to "Rear Parcel Shelf" in this section.
4. Install the seatback.
5. Connect the negative battery cable.



FRONT ROCKER TRIM PANEL

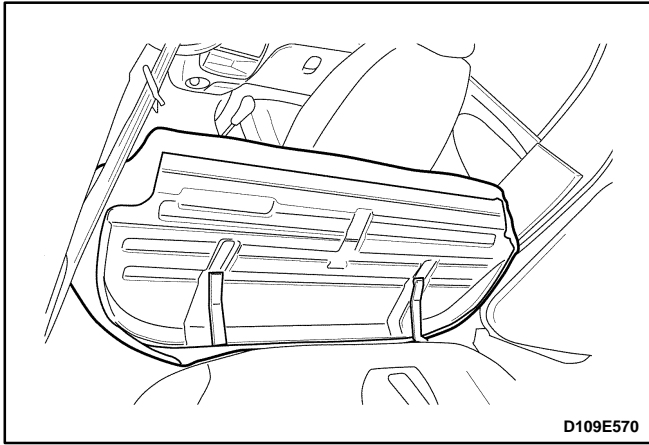
Removal Procedure

1. Pry off the rocker trim panel.
 - Remove the clip (1).
 - Remove the screw (2).
 - Pry off the rocker trim panel (3).



Installation Procedure

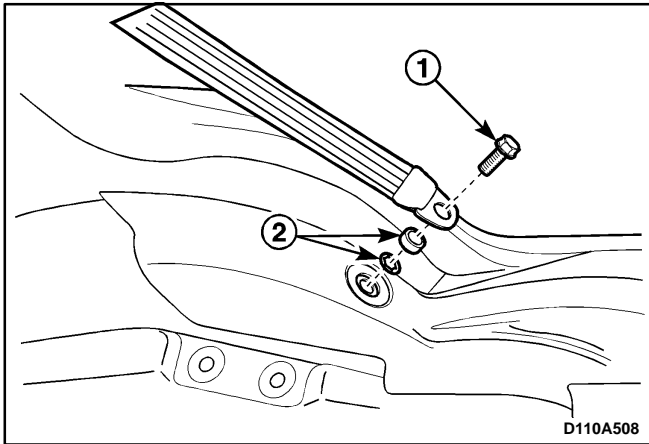
1. Install the rocker trim panel with the clip and the screw.



REAR ROCKER TRIM PANEL

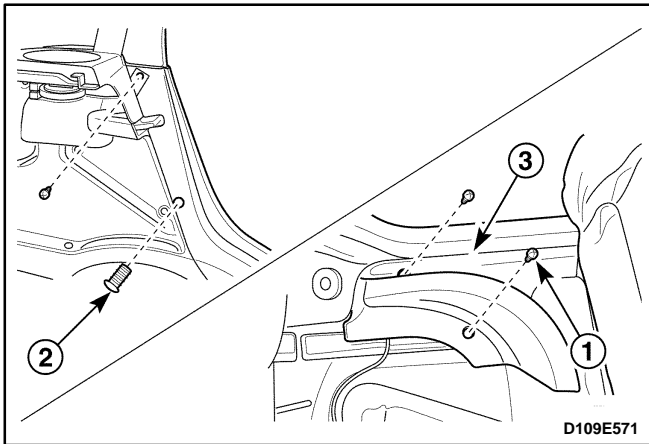
Removal Procedure

1. Remove the rear seat cushion.



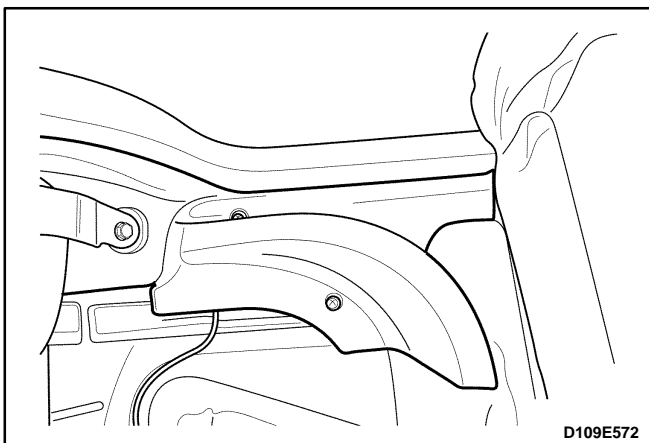
2. Remove the rear seat belt bolt on the floor.

- Remove the bolt (1).
- Remove the spacer and the spring washer (2).
- Remove the plastic protector from the seat belt anchor.



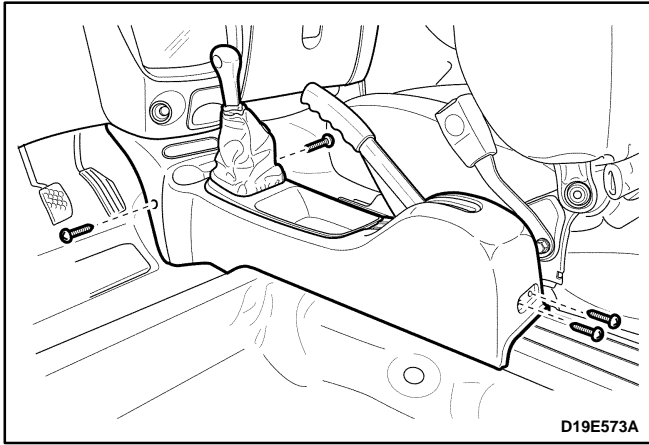
3. Pry off the rear rocker trim panel.

- Remove the screws securing the rear rocker trim panel (1).
- Remove the clip (2).
- Pry off the rear rocker trim panel (3).



Installation Procedure

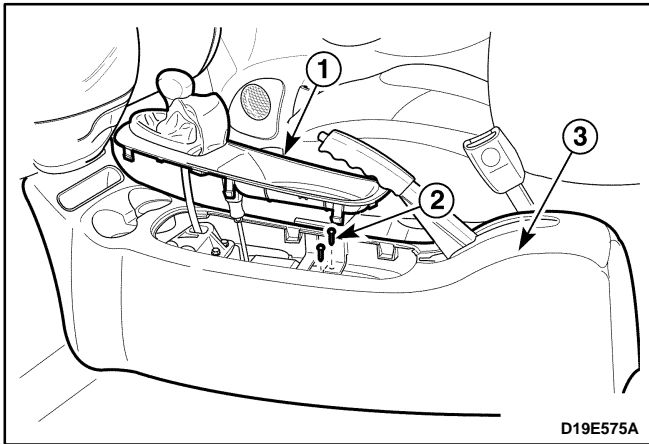
1. Install the rear rocker trim panel with the screws and the clip.
2. Install the rear seat belt bolt on the floor.
3. Install the rear seat cushion.



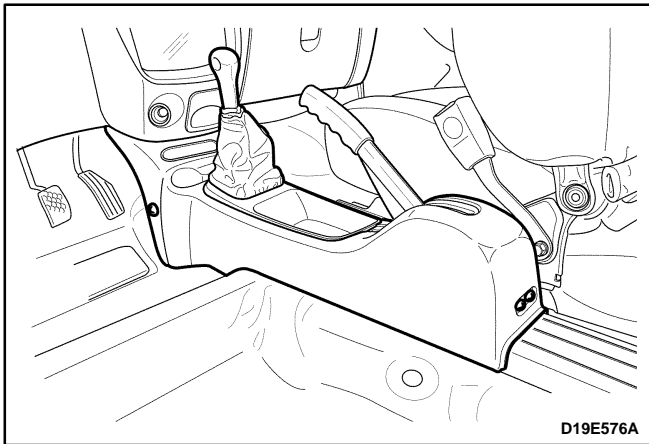
FLOOR CONSOLE

Removal Procedure

1. Remove the floor console screws.

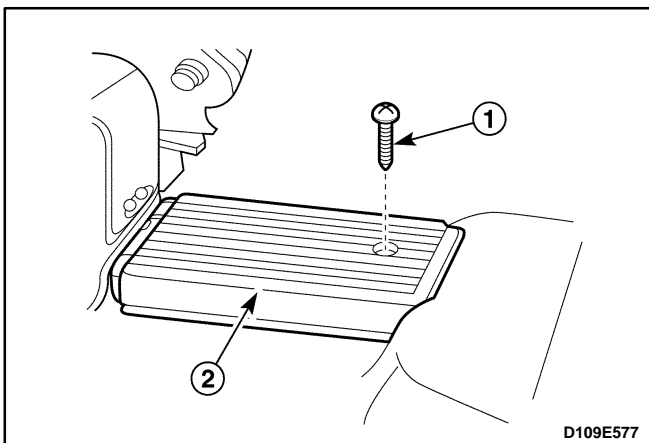


2. Remove the gear shift lever boot cover and the floor console.
 - Remove the gear shift lever boot cover (1).
 - Remove the screws (2).
 - Remove the floor console (3).



Installation Procedure

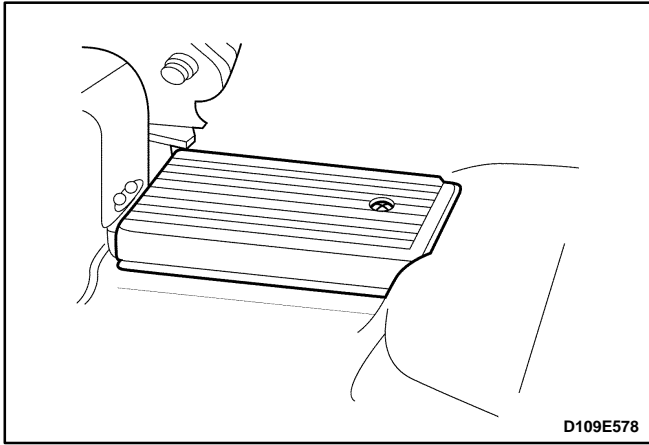
1. Install the floor console.
2. Install the gear shift lever boot cover to the floor console.
3. Tighten the floor console screws.



PARKING BRAKE CABLE COVER

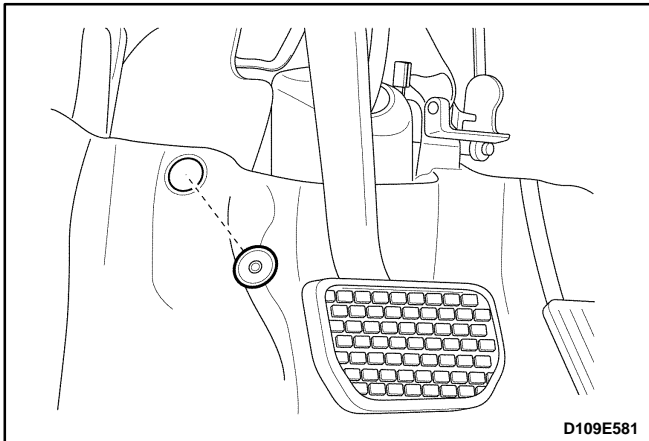
Removal Procedure

1. Remove the parking brake cable cover.
 - Remove the screw (1).
 - Remove the cable cover (2).



Installation Procedure

1. Install the parking brake cable cover with the screw.

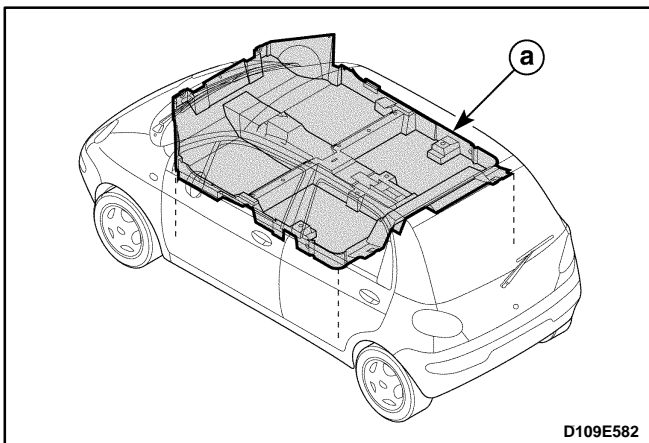


FLOOR CARPET

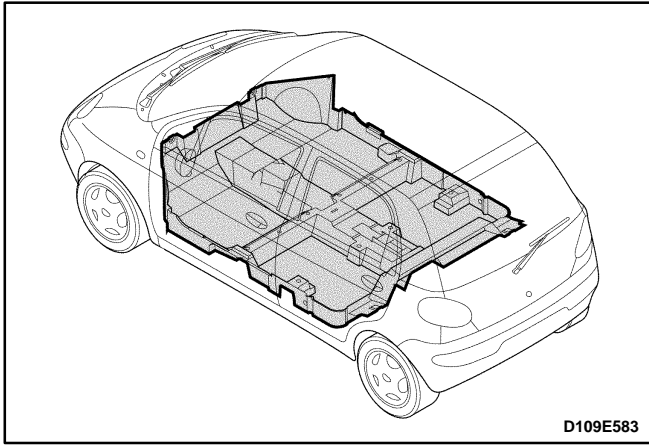
(Left-Hand Drive Shown, Right-Hand Drive Similar)

Removal Procedure

1. Disconnect the negative battery cable.
2. Remove the front seats. Refer to *Section 9H, Seats*.
3. Remove the rear seat cushion. Refer to *Section 9H, Seats*.
4. Remove the floor console. Refer to "Floor Console" in this section.
5. Pry off the front rocker trim panel. Refer to "Front Rocker Trim Panel" in this section.
6. Pry off the rear rocker trim panel. Refer to "Rear Rocker Trim Panel" in this section.
7. Pry off the lower B-pillar trim panel. Refer to "Lower B-pillar Trim Panel" in this section.
8. Remove the parking brake cable cover. Refer to "Parking Brake Cable Cover" in this section.
9. Remove the clips under the front seats.

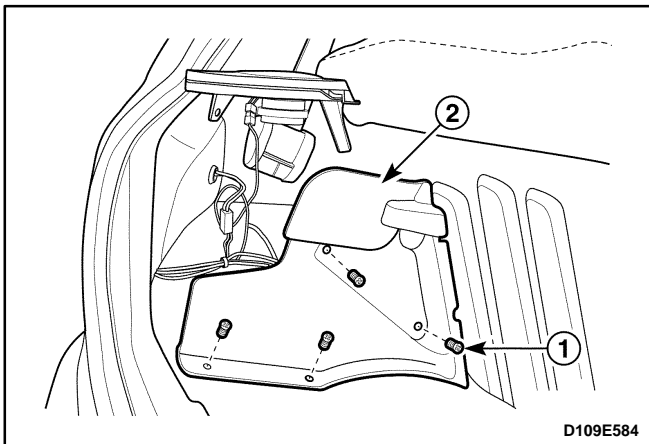


11. Remove the floor carpet.
 - a. Floor carpet.



Installation Procedure

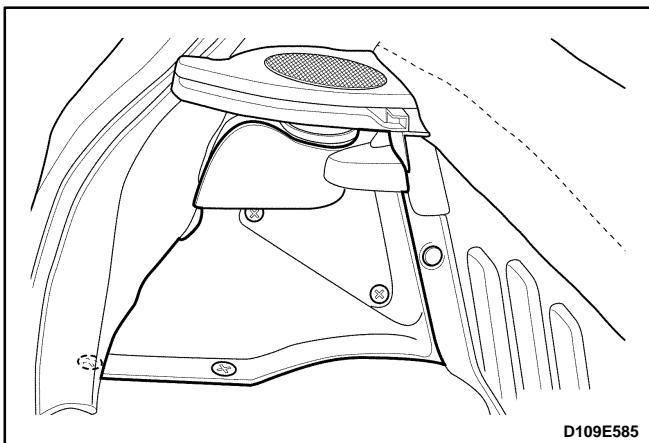
1. Install the floor carpet.
2. Install the clips.
3. Install the parking brake cable cover. Refer to "Parking Brake Cable Cover" in this section.
4. Install the lower B-pillar trim panel. Refer to "Lower B-pillar Trim Panel" in this section.
5. Install the rear rocker trim panel. Refer to "Rear Rocker Trim Panel" in this section.
6. Install the front rocker trim panel. Refer to "Front Rocker Trim Panel" in this section.
7. Install the floor console. Refer to "Floor Console" in this section.
8. Install the rear seat cushion. Refer to *Section 9H, Seats*.
9. Install the front seats. Refer to *Section 9H, Seats*.
10. Connect the negative battery cable.



LUGGAGE COMPARTMENT WHEELHOUSE TRIM PANEL

Removal Procedure

1. Pry off the luggage compartment wheel house trim panel.
 - Remove the screws (1).
 - Pry off the trim panel (2).

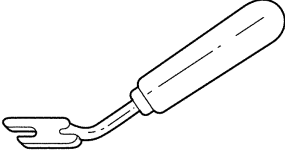


Installation Procedure

1. Install the luggage compartment wheelhouse trim panel with the plastic screws.

SPECIAL TOOLS AND EQUIPMENT

SPECIAL TOOLS TABLE

 <p>D109E101</p>	<p>KM-475-B Trim Remover</p>
---	---